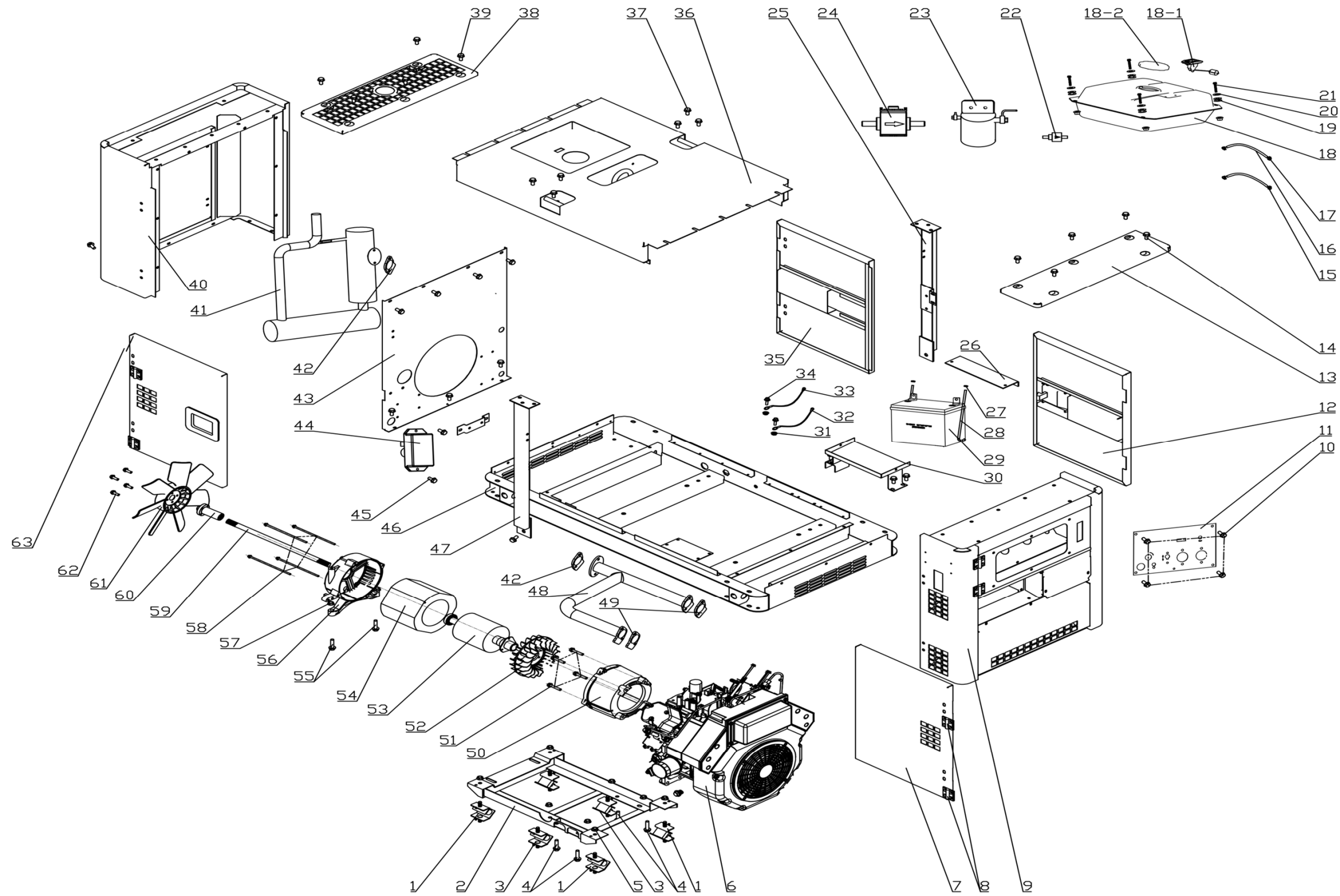


APD13000Q



Nr.	Cod	Piesa	Descriere	
1	72.007.9068	Shock mount	10KW/60-65/54mm/17mm	4
2	71.022.0062	Shock mount	10KW/60-65/54mm/17mm	2
3	/	bracket	2V88/245*150A	1
4	72.008.5038	bolt	M8*1.25/40/S=10/8.8	4
5	72.008.9001	nut	M10*1.5/S=14/8.8	16
6	71.017.0096	engine	2V88B/50Hz 3:16	1
7	/	Access door		1
8	/	Hinge	M6	8
9	/	Side panel		1
10	72.008.5026	bolt	M6*1/12/S=8/8.8	32
11	71.019.0104	Control panel asser 控制面板总成	10KW/APD13000Q/230V/400V/50Hz/63A	1
12	/	Access door		1
13	/	/	/	/
14	/	/	/	/
15	71.023.0040	Clamp	B8.5	12
16	71.022.0056	Fuel pipe	Φ8*Φ14	1.17m
17	72.008.5002	Clamp	B13	8
18	/	Fuel tank	26L/10KW	1
18-1		Fuel level gauge	26L	1
18-2		Fuel tank cap		1
19	/	/	/	/
20	72.008.9061	Fuel tank gasket	6*22*2	4
21	72.008.5028	bolt	M6*1/16/S=8/8.8	6
22	71.025.0011	Check valve	5	1
23	71.025.0072	Diesel filter	QC-FR020	1
24	71.025.0006	Electric fuel pump	MEP-C-12V/15W	1
25	/	Support column 1		1
26	/	Battery pressure plate	10KW	1
27	72.008.5018	nut	/M6*1/S=10/8.8	8
28	71.021.0038	L-bolt	6*250	2
29	71.025.0083.1	Accumulator	6-QW-40min(280)-R/N36/DF	1
30	/	Battery box	10KW	1
31	72.008.5018	nut	M6*1/S=10/8.8	2
32	71.022.0063	Positive wire	8*10/550mm/16mm²/	1
33	71.022.0036.2	Negative wire	8*10/550mm/16mm²/	1
34	72.008.5028	bolt	M6*1/16/S=8/8.8	2
35	/	Access door		1
36	/	Top cover	10KW	1
37	72.008.5034	bolt	M8*1.25/16/S=10/8.8	6
38	/	/	/	/
39	/	/	/	/
40	/	Side panel		1

Nr.	Cod	Piesa	Descriere	
41	/	silencer	10KW	1
42	/	Silencer gasket		2
43	/	Muffler partition		1
44	12.012.0242	A.V.R.	10KW	1
45	72.008.5028	bolt	M6*1/16/S=8/8.8	2
46	/	Bottom plate	10KW	1
47	/	Support column 2		1
48	/	Muffler connecting pipe		1
49	/	Silencer gasket		2
50	12.029.0070	End cap	245(146mm)	1
51	72.008.9063	bolt	M8*1.25/30/S=10/8.8	6
52	13.004.0022	fan	245	1
53	12.001.1501	Rotor assembly	10KW/Y/130A/363/35/105/3:16/40/02	1
54	12.002.6299	Stator assembly	10KW/220V/380V/50HzDCY/245*130A/ 245	1
55	72.008.5038	bolt	M8*1.25/40/S=10/8.8	2
56	13.030.0043	Motor bracket	245	1
57	72.008.5019	nut	M8*1.25/S=13/8.8	12
58	35.014.0609	Stator bolt	(GB/T5789) M10*1.5*220	4
59	35.014.0634	Rotor bolt	M18*1.5/M18*2.5/*435	1
60	71.025.0096	Fan connection shaft	10KW/45	1
61	/	fan	10KW	1
62	72.008.5026	bolt	M6*1/12/S=8/8.8	4
63	/	Access door		1