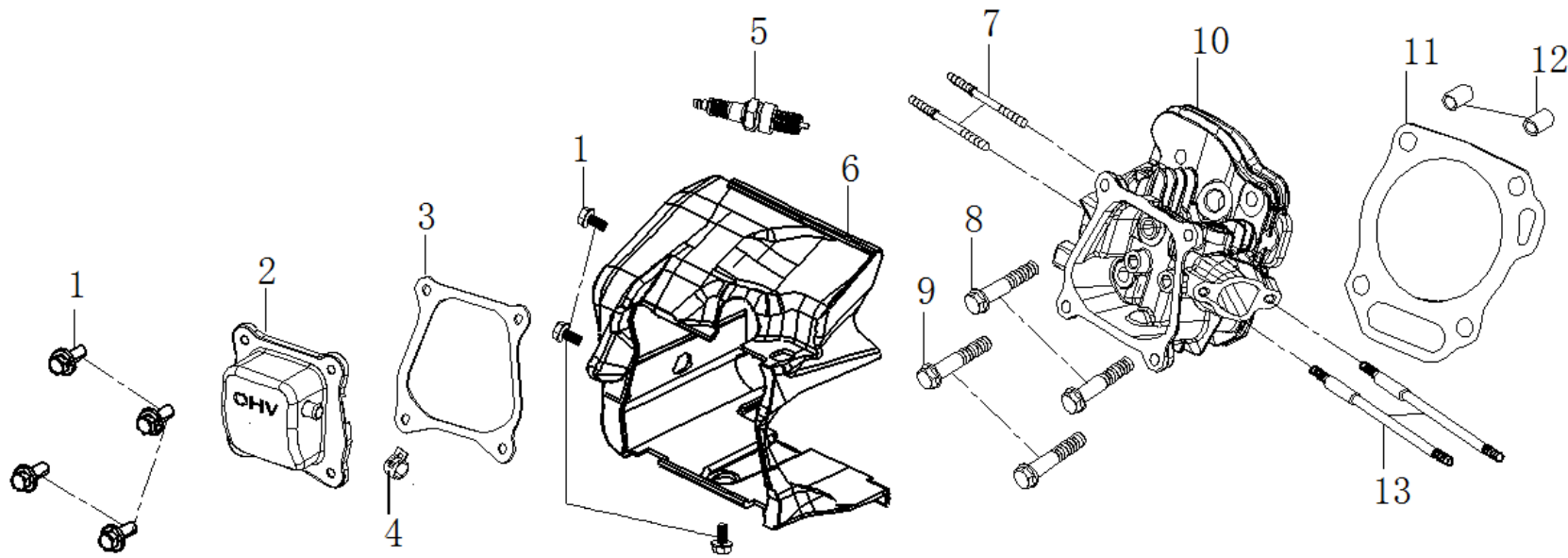
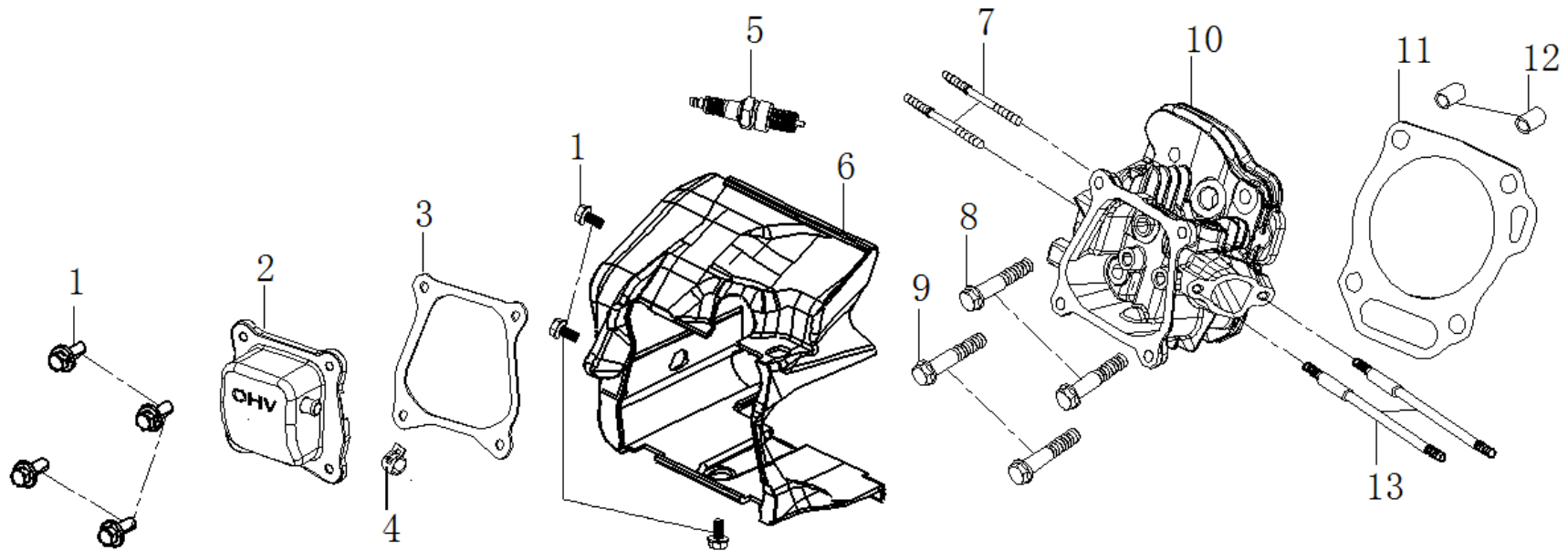


E-01 Cylinder head



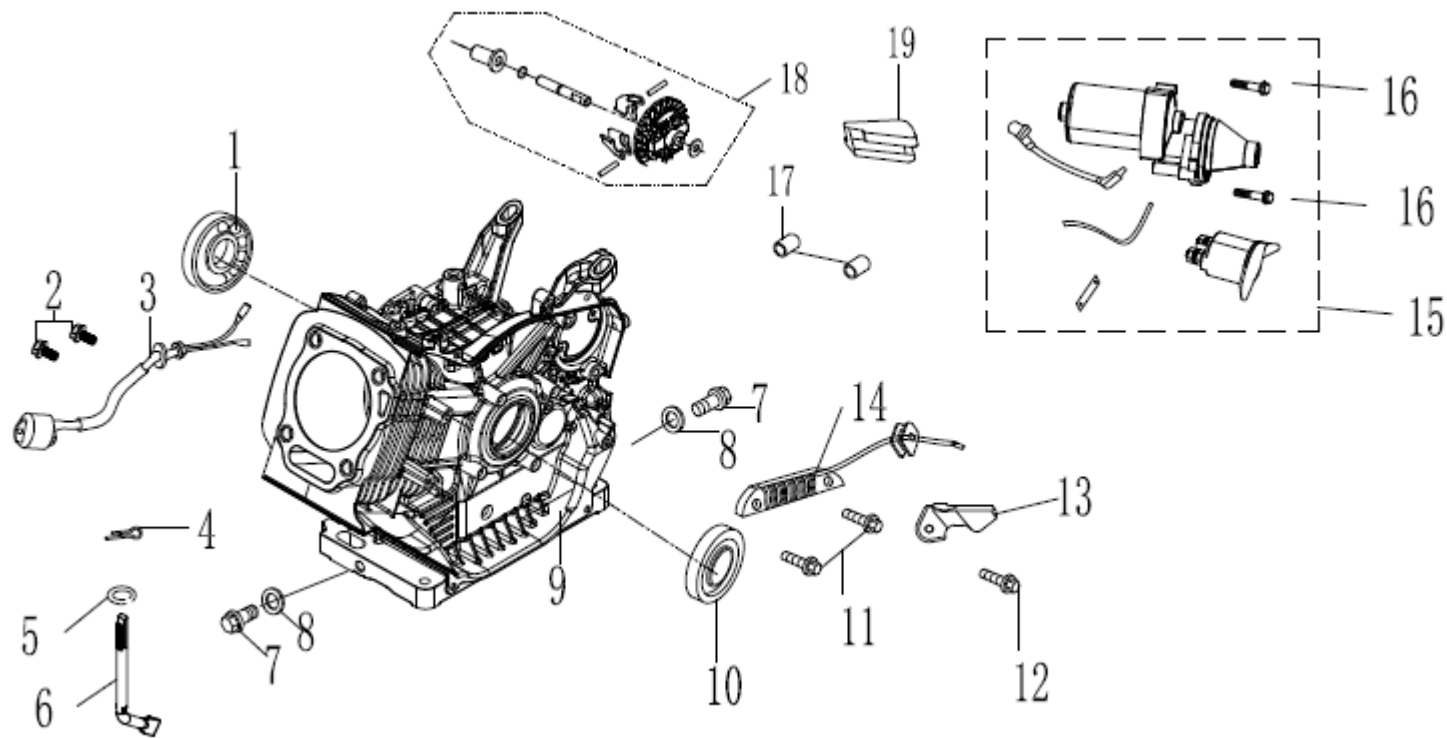
NO.	Part NO.	Description			QTY	
			English	Price (USD)	SC200	N.W. (kg) /PC
1	30101-00281-00		BOLT,M6×12		7	0.00542
2	20021-00009-01		COVER COMP.HEAD		1	0.22307
3	33048-00024-00		GASKET,HEAD COVER		1	0.00891
4	34024-00022-00		CLIP		1	0.00200
5	20027-00008-00		SPARK PLUG		1	0.05713
6	34021-00012-01		Wing scooper		1	0.09000
7	30110-00027-01		BOLT,STUD,EXHAUST		2	0.01101

E-01 Cylinder head



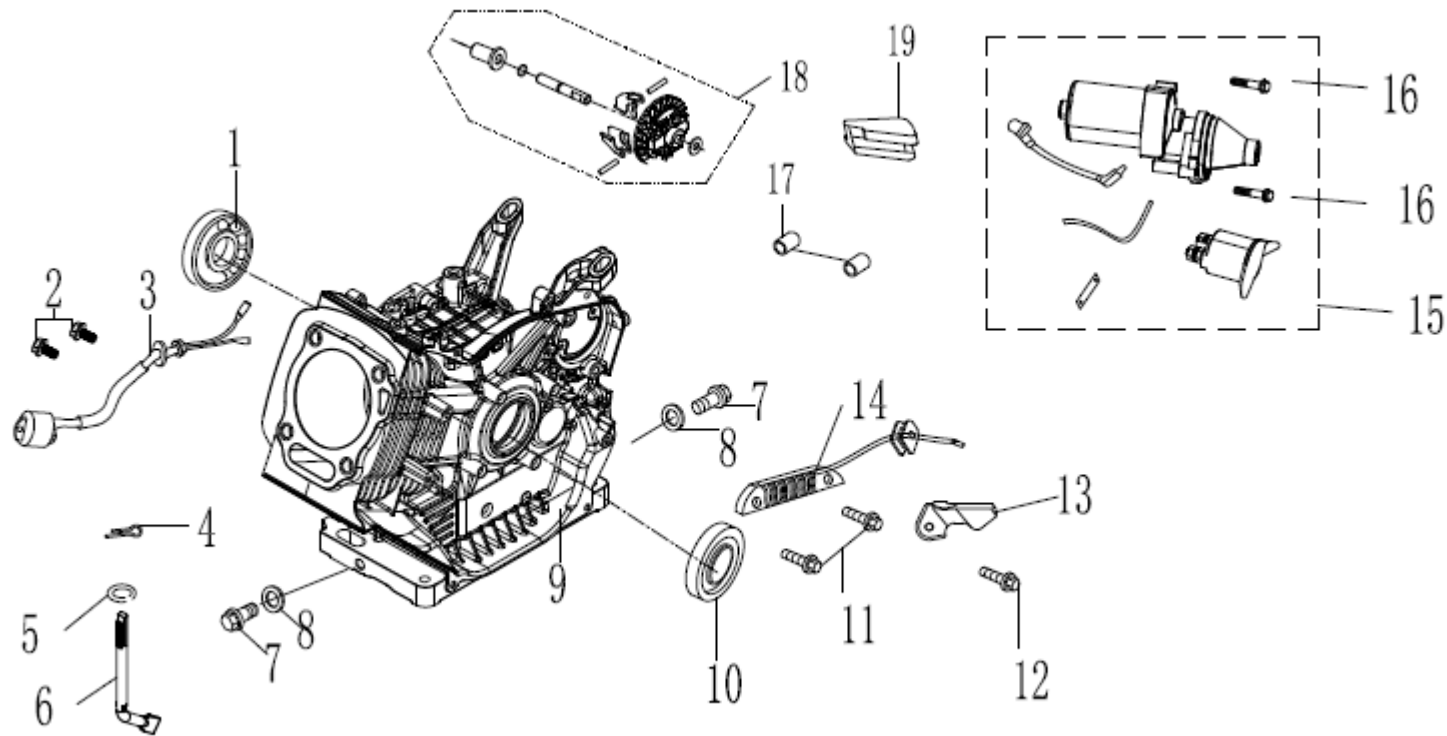
NO.	Part NO.	Description			QTY	
			English	Price (USD)	SC200	N.W. (kg) /PC
8	30101-00464-01		BOLT,M8×50		2	0.02848
9	30101-00469-01		BOLT,M8×70		2	0.02848
10	20023-00005-00		CYLINDER HEAD COMP		1	0.83105
11	33048-00016-00		GASKET,CYLINDER		1	0.00736
12	34006-00009-00		DOWEL PIN		2	0.00265
13	30110-00017-01		BOLT,STUD,INTAKE		2	0.02198

E-02 Crankcase assy



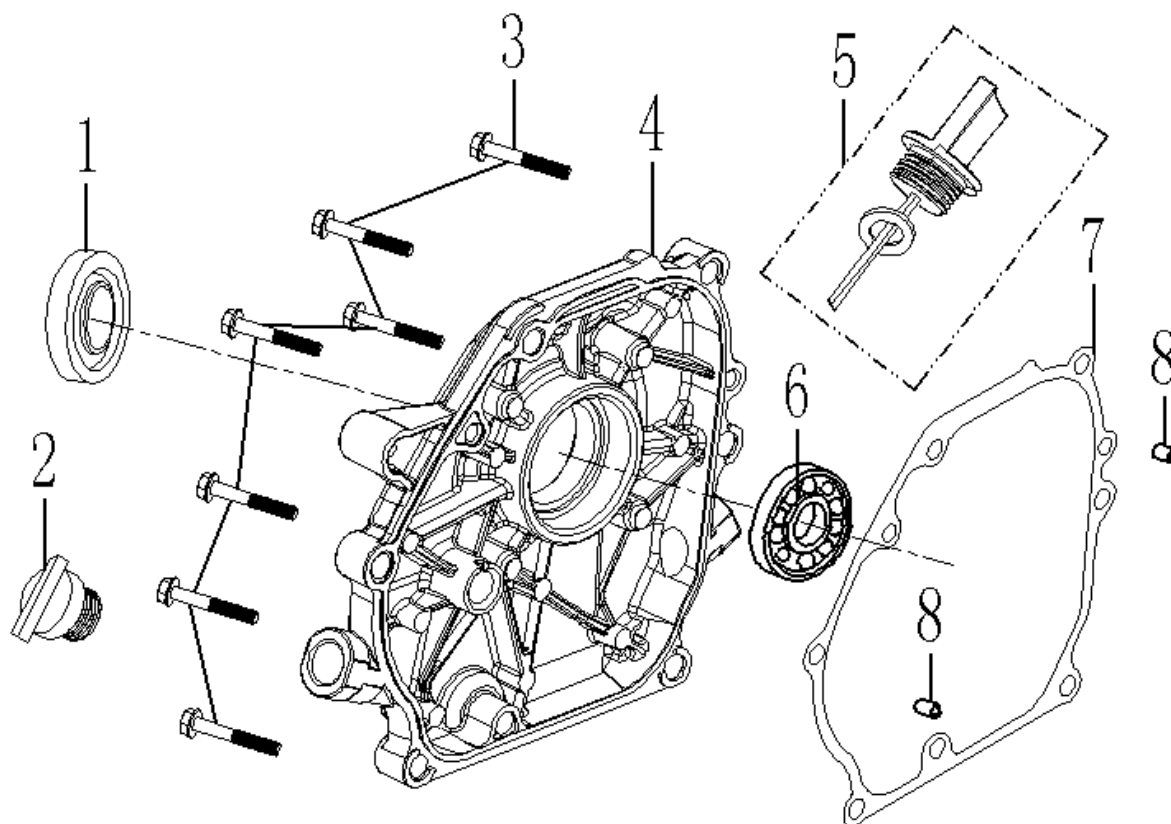
NO.	Part NO.	Description			QTY	
			English	Price (USD)	SC200	N.W. (kg) /PC
1	30141-00115-00		BEARING		1	0.12598
2	30101-00277-00		BOLT,M6×16		2	0.00583
3	33247-00005-01		ENGINE OIL SENSOR		1	0.04306
4	34006-00016-00		PIN, LOCK		1	0.00053
5	30136-00092-01		WASHER		1	0.00068
6	34026-00003-01		SHAFT,GOVERNOR		1	0.01810
7	30101-00487-01		BOLT,M10×15		2	0.01380
8	30136-00078-01		WASHER		2	0.00045
9	34011-00031-00		CRANKCASE		1	2.60412
10	34007-00003-01		OIL SEAL		1	0.00882

E-02 Crankcase assy



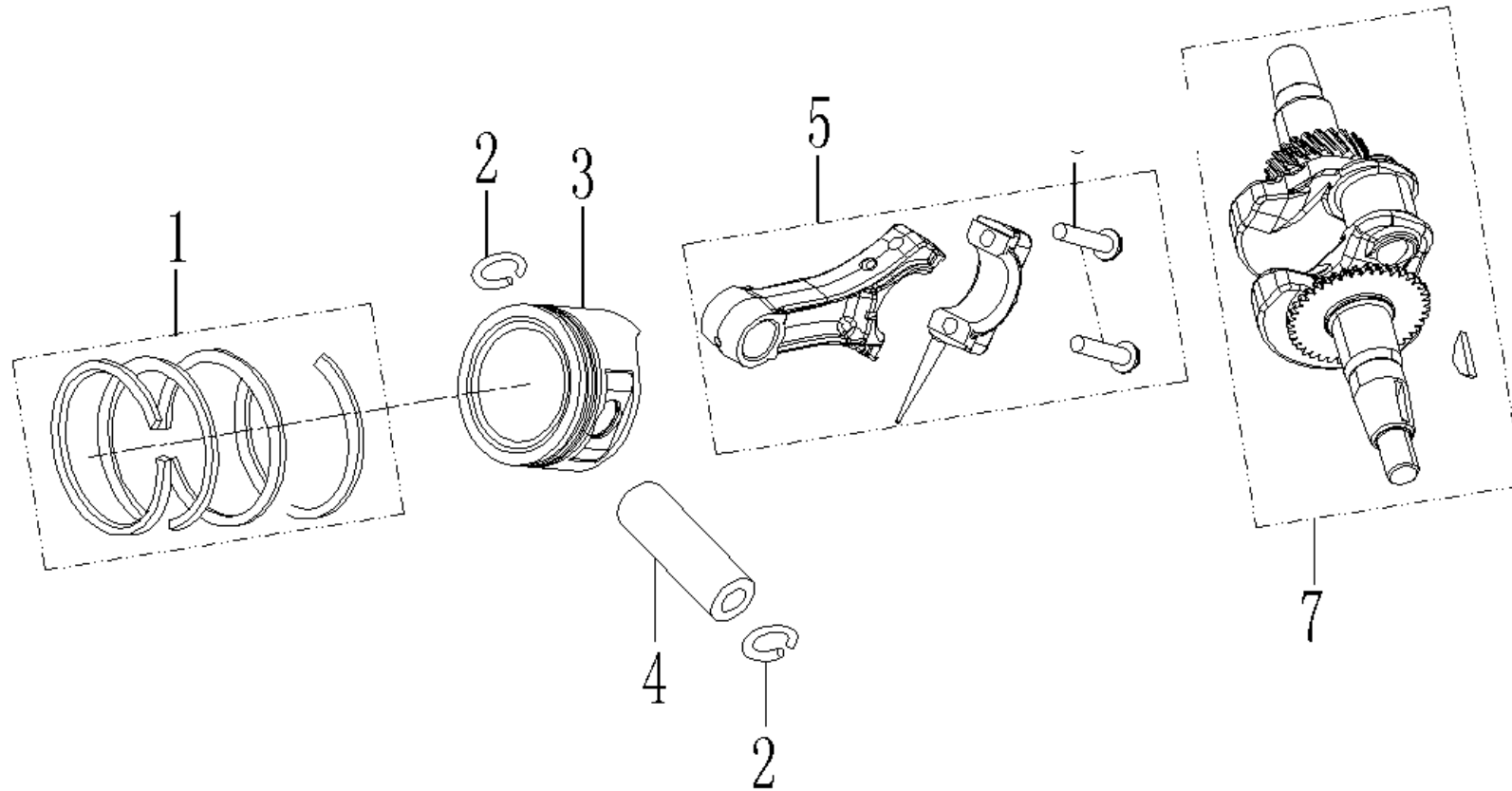
NO.	Part NO.	Description			QTY	
			English	Price (USD)	SC200	N.W. (kg) /PC
11	30101-00283-00		BOLT, M6×25		2	
12	30101-00338-00		BOLT, M6×10		1	
13	33593-00009-00				1	
14	20009-00027-00				1	
15	20149-00003-01				1	
16	30101-00410-01		BOLT, M6×28		2	
17	34006-00001-00		DOWEL PIN		2	
18	20013-00008-01		GOVERNOR GEAR KIT		1	0.02843
19	33036-00045-00				1	

E-03 Crankcase cover



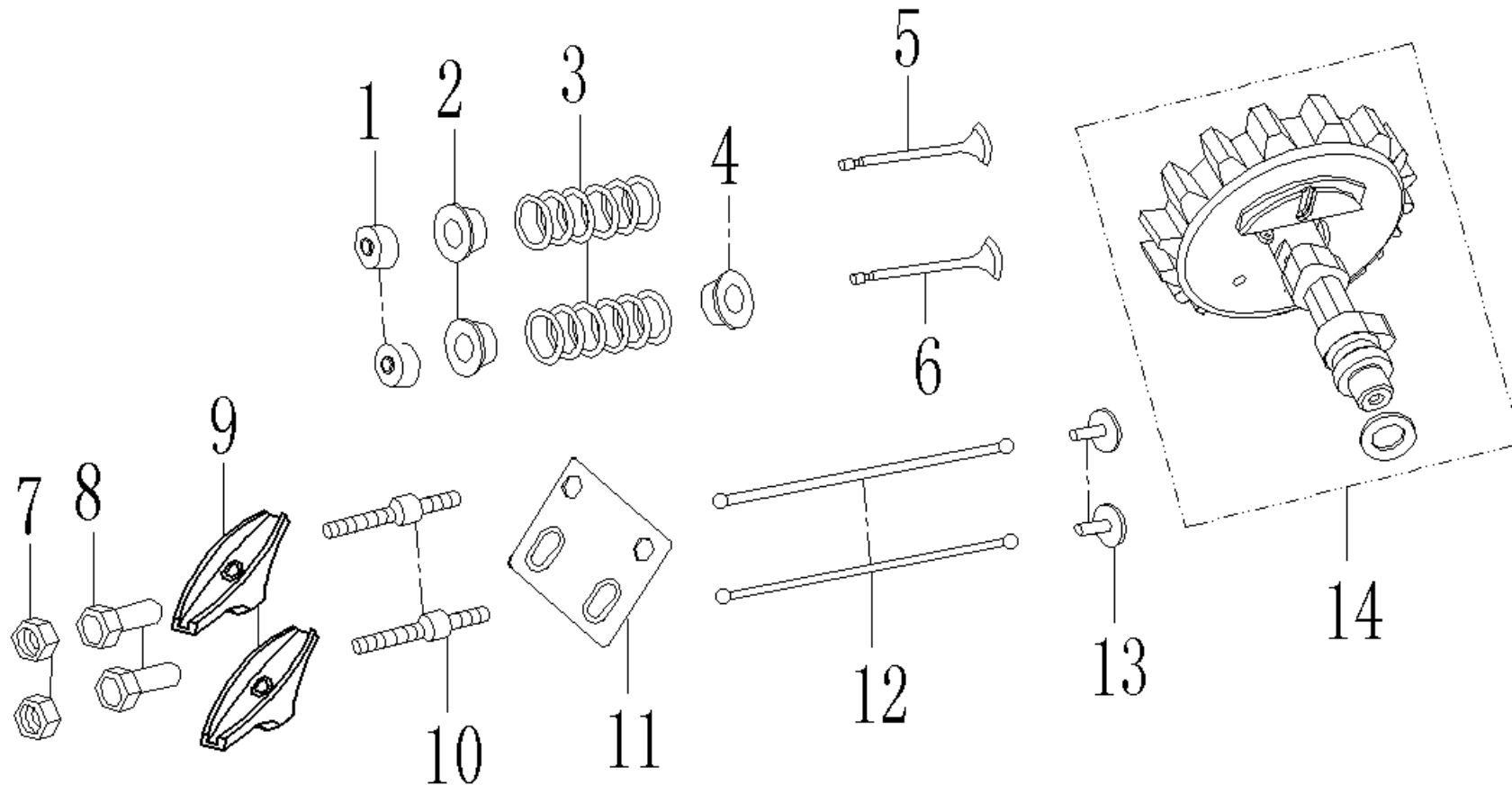
NO.	Part NO.	Description			QTY	
		English	Price (USD)	SC200	N.W. (kg) /PC	
1	34007-00003-01	OIL SEAL		1	0.00882	
2	20026-00016-02	OIL CAP ASSY		1	0.00746	
3	30101-00279-00	BOLT,M8×32		7	0.01657	
4	33129-00013-00	CRANKCASE COVER		1	0.54615	
5	20026-00001-00	DIPSTICK ASSY		1	0.00812	
6	30141-00115-00	BEARING		1	0.12598	
7	33048-00184-00	GASKET,CRANKCASE COVER		1	0.00432	
8	34006-00001-00	DOWEL PIN		2	0.00185	

E-04 Crankshaft piston



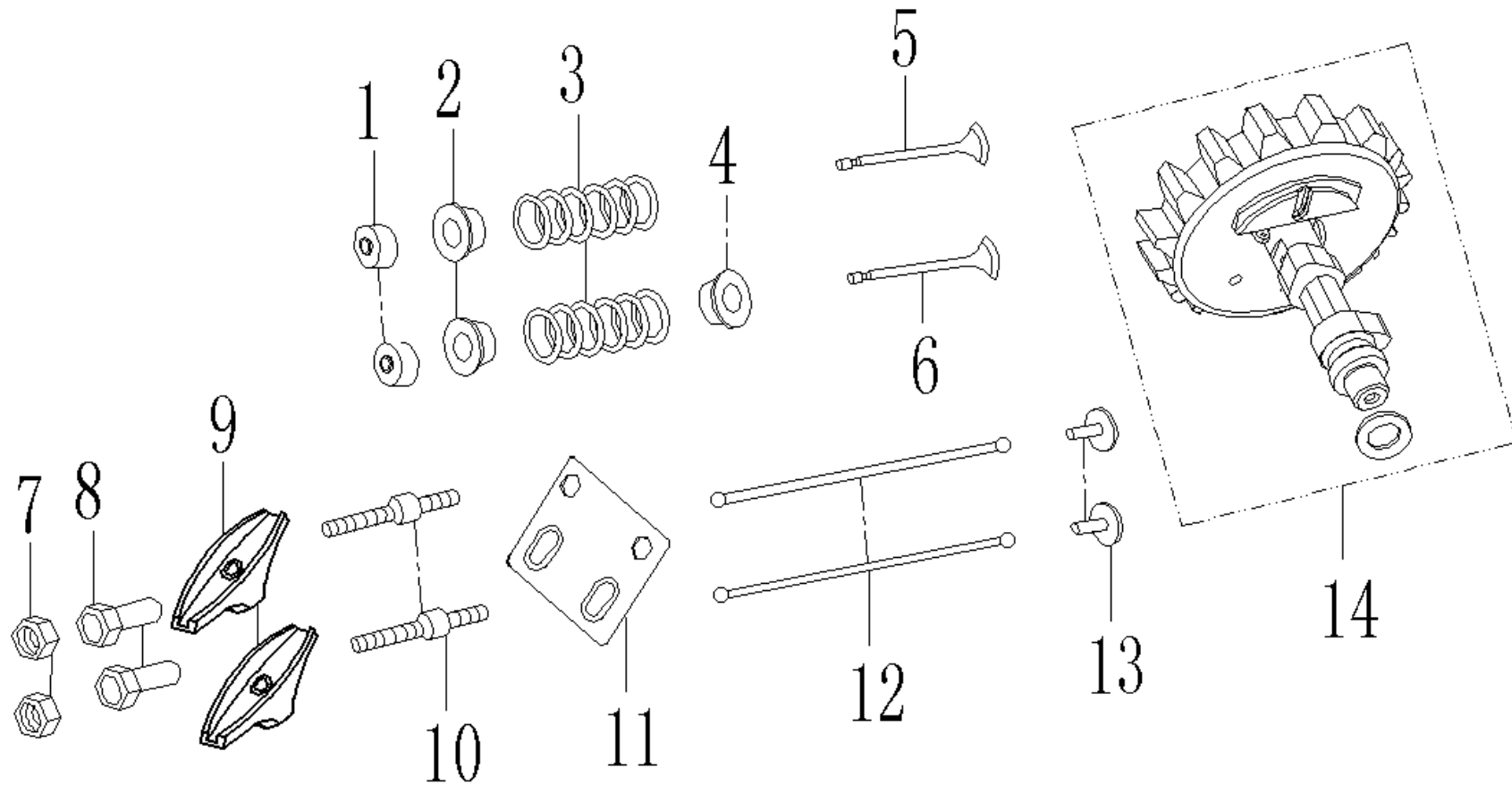
NO.	Part NO.	Description			QTY	
			English	Price (USD)	SC200	N.W. (kg) /PC
1	20084-00005-00		RING SET,PISTON		1	0.01715
2	30150-00022-00		CLIP,PISTON PIN		2	0.00032
3	34004-00011-00		PISTON		1	0.14271
4	34006-00013-00		PIN,PISTON		1	0.04361
5	20008-00005-00		CONNECTING ROD ASSY		1	0.13785
6	20011-00038-00		CRANKSHAFT ASSY		1	1.70125

E-05 Camshaft



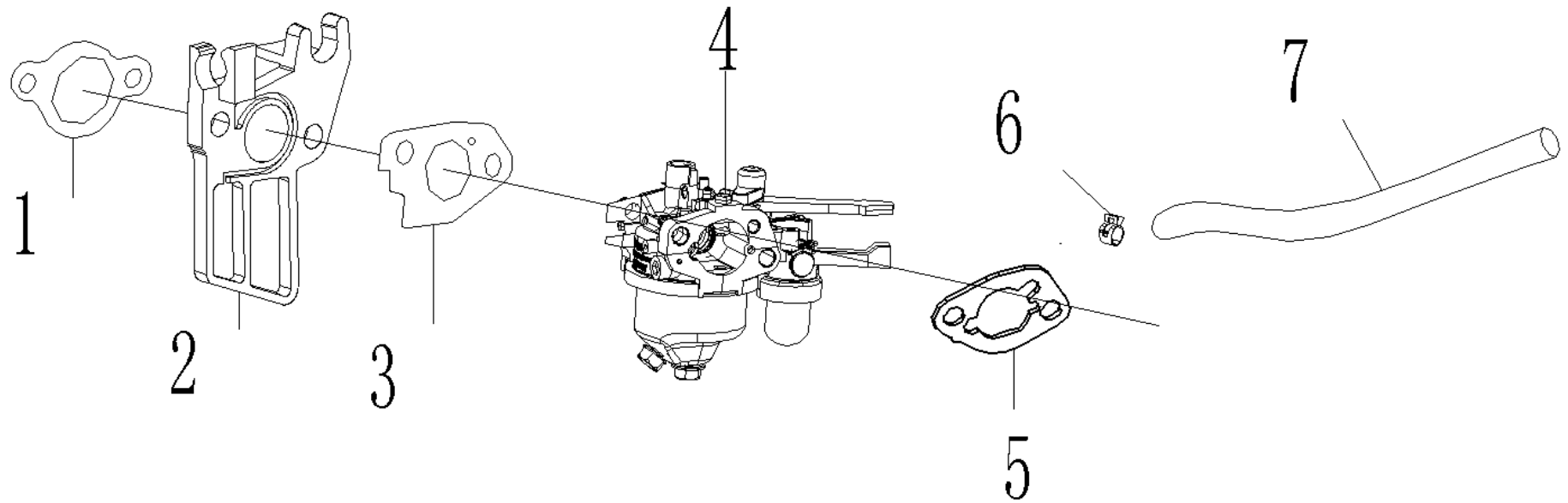
NO.	Part NO.	Description			QTY	
			English	Price (USD)	SC200	N.W. (kg) /PC
1	33141-00021-00		ROTATOR, VALVE		2	0.00164
2	34036-00006-00		RETAINER, VALVE SPRING		1	0.00615
3	34015-00003-00		SPRING, VALVE		2	0.00551
4	34018-00005-00		OIL SHIELD		1	0.00203
5	34013-00010-00		VALVE, INTAKE		1	0.02138
6	34013-00028-00		VALVE, EXHAUST		1	0.02145
7	30121-00034-01		NUT, VALVE ADJUSTING		2	0.00225

E-05 Camshaft



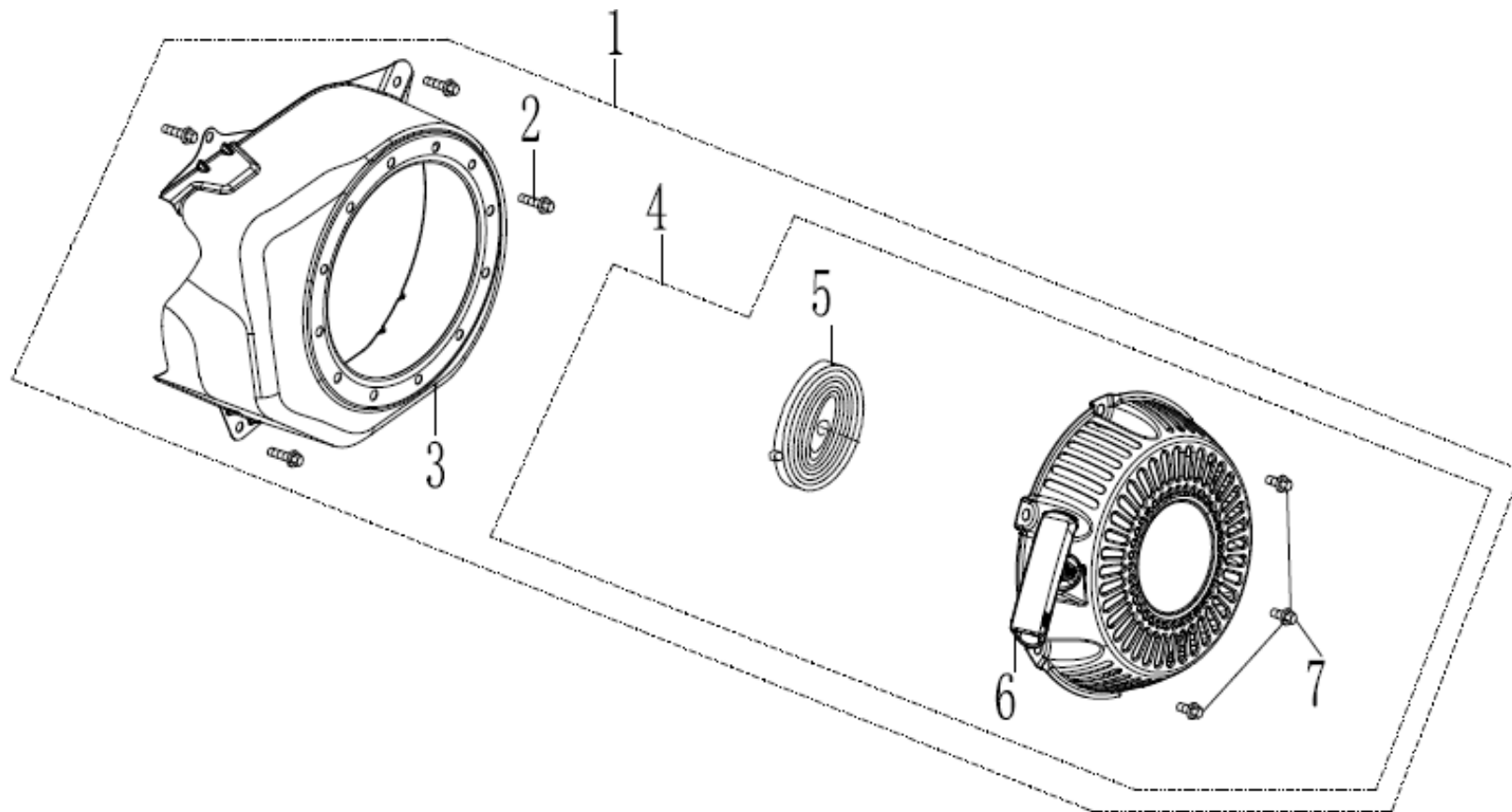
NO.	Part NO.	Description			QTY	
			English	Price (USD)	SC200	N.W. (kg) /PC
8	30134-00005-01		ROCKER SHAFT		2	0.01540
9	34019-00003-00		ROCKER ARM		2	0.01699
10	30110-00032-01		BOLT VALVE		2	0.01474
11	34017-00009-00		PLATE,PUSH ROD GUIDE		1	0.01198
12	34020-00013-00		PUSH ROD		2	0.01316
13	34008-00004-00		LIFTER, VALVE		2	0.01948
14	20012-00011-00		CAMSHAFT,ASSY		1	0.85015

E-06 Carburetor



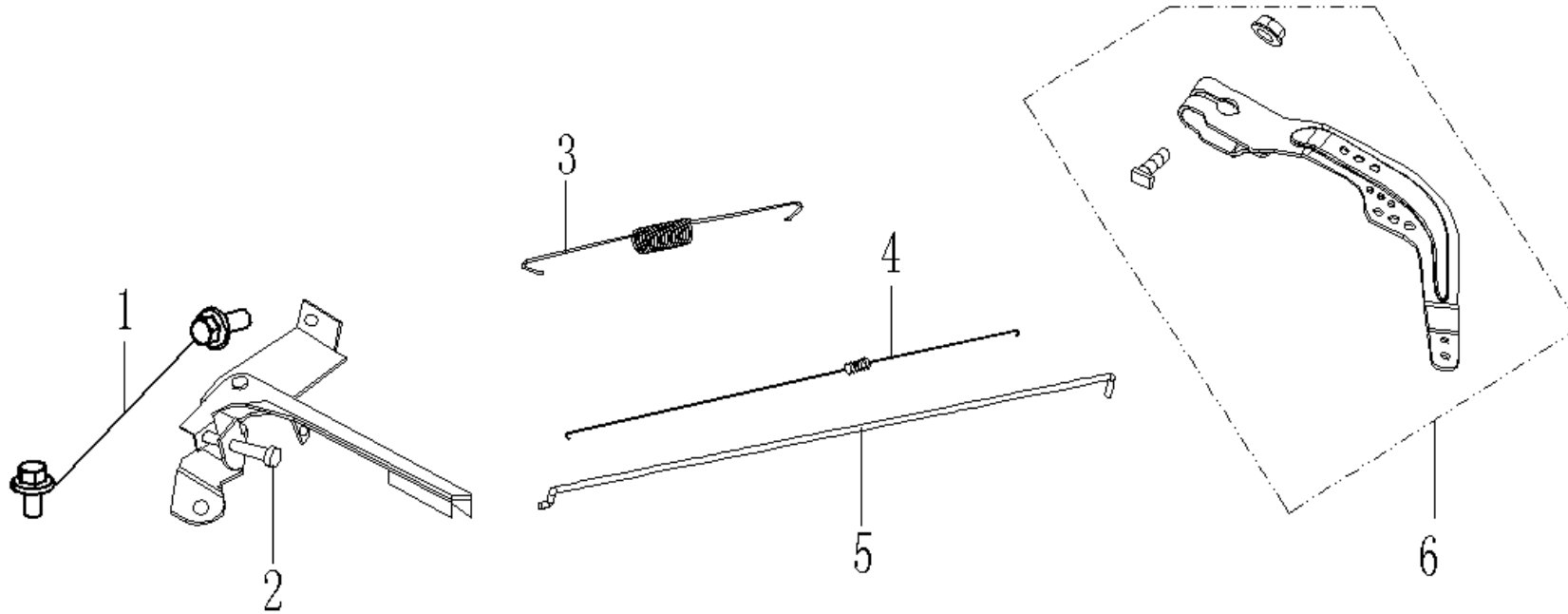
NO.	Part NO.	Description			QTY	
			English	Price (USD)	SC200	N.W. (kg) /PC
1	33048-00051-00		GASKET,INLET		1	0.00053
2	34012-00009-01		INSULATOR,CARBURETOR		1	0.02385
3	33048-00076-00		INSULATOR,CARBURETOR		1	0.00081
4	20024-00053-00		CARBURETOR		1	0.24298
5	33048-00045-01		GASKET,AIR FILTER		1	0.01686
6	34024-00027-00		CLIP		1	0.00101
7	34023-00004-01		FUEL PIPE		0.165m	0.01093

E-07 Recoil starter



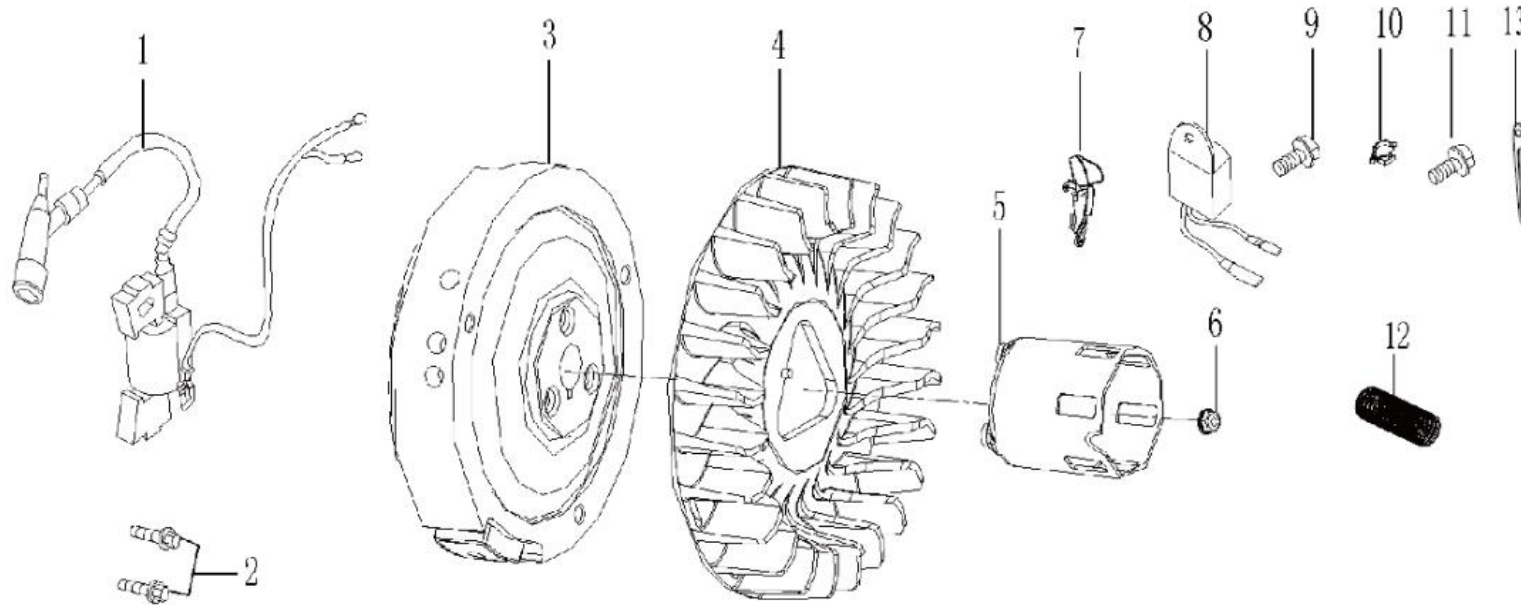
NO.	Part NO.	Description			QTY	
			English	Price (USD)	SC200	N.W. (kg) /PC
1	20010-00218-03		RECOIL STARTER COMP		1	1.03094
2	30101-00281-00		BOLT,M6×12		4	0.00542
3			WIND GUIDER,RECOIL		1	0.47263
4			COVER COMP		1	0.26981
5			SPRING		1	/
6			KNOB,RECOIL STARTER		1	0.02588
7	30101-00338-00		BOLT,FLANGE		3	0.00389

E-08 Control



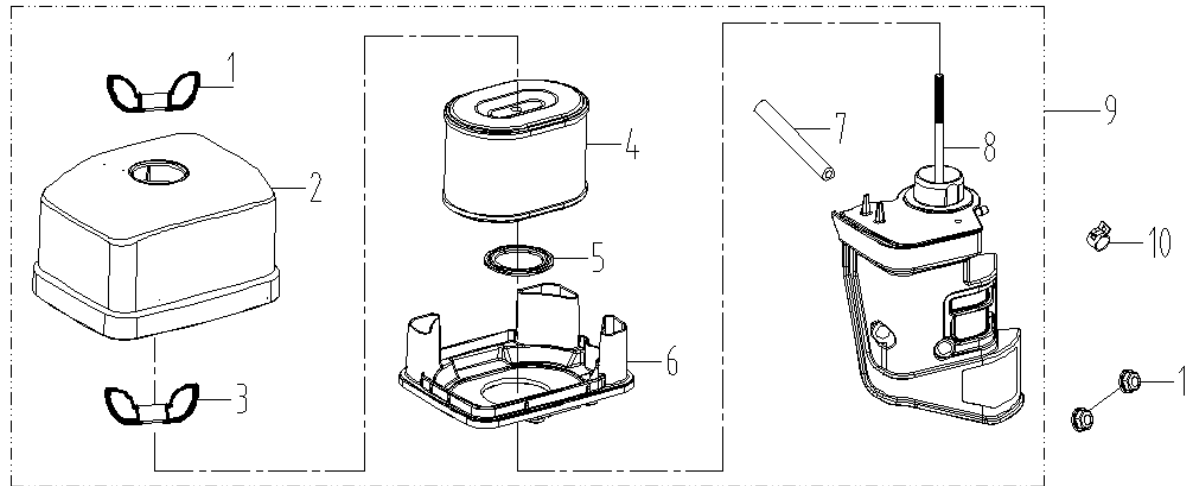
NO.	Part NO.	Description			QTY	
			English	Price (USD)	SC200	N.W. (kg) /PC
1	30101-00281-00		BOLT,M6×12		2	0.00542
2	20022-00007-01		SPEED CONTROL,ASSY		1	0.12344
3	34015-00014-01		SPRING,CABLE RETURN		1	0.00189
4	34015-00026-00		SPRING,THROTTLE RETURN		1	0.00096
5	34026-00007-01		ROD,GOVERNOR		1	0.00372
6	34025-00003-01		HANDLE,SPEED CONTROL		1	0.03452

E-9 Flywheel



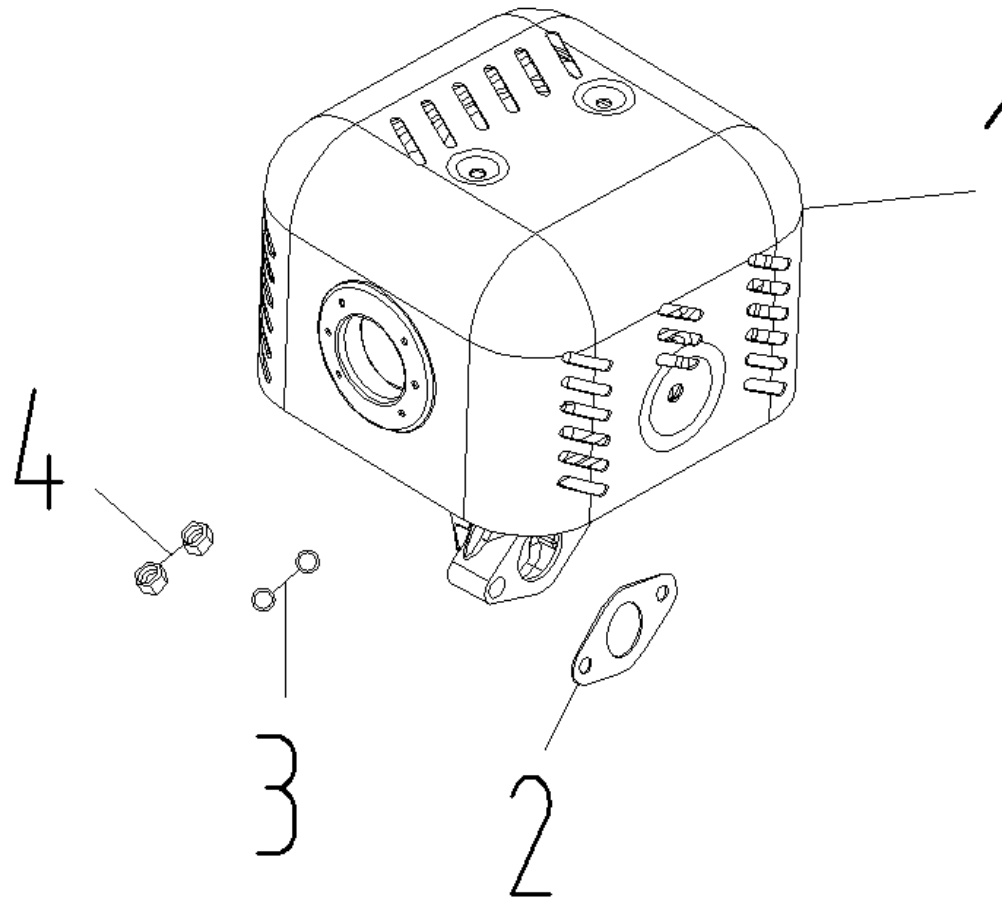
NO.	Part NO.	Description			QTY	
			English	Price(USD)	SC200	N.W. (kg) /PC
1	20028-00026-01		WIRE,ENGINE SWITCH		1	0.23051
2	30101-00283-00		BOLT,FLANGE		2	0.00771
3	33099-00038-00		FLYWHEEL COMP		1	2.51312
4	33155-00040-01		FAN COOLING		1	0.10223
5	34022-00027-01		PULLEY,STARTER		1	0.13101
6	30125-00011-01		NUT SPECIAL		1	0.02507
7	34021-00005-00		SIDE SHELL		1	0.05061
8	33246-00002-01		OIL ALARM		1	0.02331
9	30101-00281-00		BOLT,FLANGE		1	0.00542
10	34024-00013-01		CLIP,NON-RETURN VALVE		1	0.00226
11	30101-00071-02		BOLT,FLANGE		1	0.00735
12	40052-00019-01		BELLOWS		0.055m	0.00151
13	34024-00004-00				1	

E-10 Air cleaner



NO.	Part NO.	Description			QTY	
		English	Price (USD)	SC200	N.W. (kg) /PC	
1		NUT,BUTTERFLY		1	0.00223	
2		COVER,AIR CLEANER		1	0.12231	
3		NUT,BUTTERFLY		1	0.00223	
4		ELEMENT ASSY,AIR CLEANER		1	0.06845	
5		GASKET,ELBOW		1	0.00326	
6		SUPPORT,ELEMENT		1	0.04945	
7		TUBE,BREATHER		0.075m	0.00741	
8		BASE COMP,AIR CLEANER		1	0.10045	
9	20025-00014-01	AIR CLEANER ASSY		1	0.36064	
10	34024-00003-00	CLIP,TUBE		1	0.00200	
11	30125-00002-02	NUT,FLANGE		2	0.00304	

E-11 Muffler comp



NO.	Part NO.	Description			QTY	
			English	Price (USD)	SC200	N.W. (kg) /PC
1	20202-00022-02		MUFFLER ASSY		1	0.97451
2	33048-00099-00		WASHER,MUFFLER		1	0.00327
3	30139-00038-00		SPRING COLLAR		2	0.00141
4	30121-00041-00		NUT M8		2	0.00489